

INERTIAL SHAKER

DYN-IS-10

DynaLabs

Inertial shakers and modal shakers have similar areas of application and are both utilized for evaluating vibrational behavior in structures, such as modal shakers.



Depending on the structure's dimensions and the desired excitation frequencies and levels, either modal shakers or inertial shakers may be used for vibration testing. Compared to the modal shakers, the connection styles are different. The body of the inertial shaker itself vibrates. For this reason, inertial shakers are fixed directly to the structure. Compared to modal shakers, it is easier to use. DynaLabs inertial shakers are easily mounted and highly portable. They can be used as hand-held.



Advantages

- Compact and lightweight design
- Superior low frequency performance
- Any angle mounting
- Fast setup time
- Low friction bearing guided



Application Areas

- Civil engineering
- Automotive testing
- Aerospace testing
- Shipbuilding
- Education and research



DYNALABS MUHENDISLIK LTD STI

Ostim OSB Mah. 100 Yil Bulvarı Ostim
No:55B/11 Yenimahalle 06374 Ankara
TURKEY

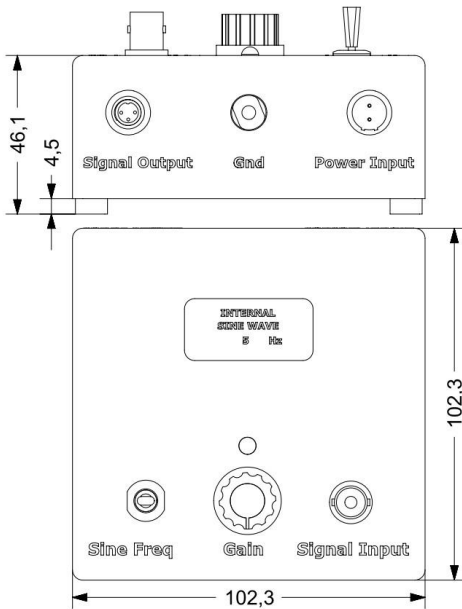
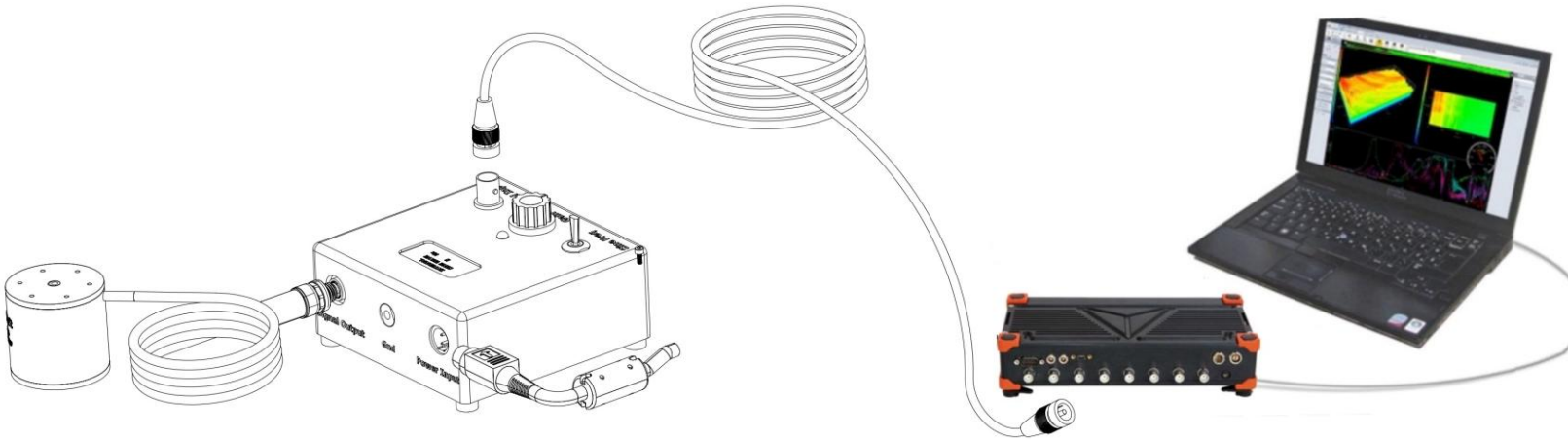
Phone: +90 312 386 21 89

Mail: dynalabs@dynalabs.com.tr

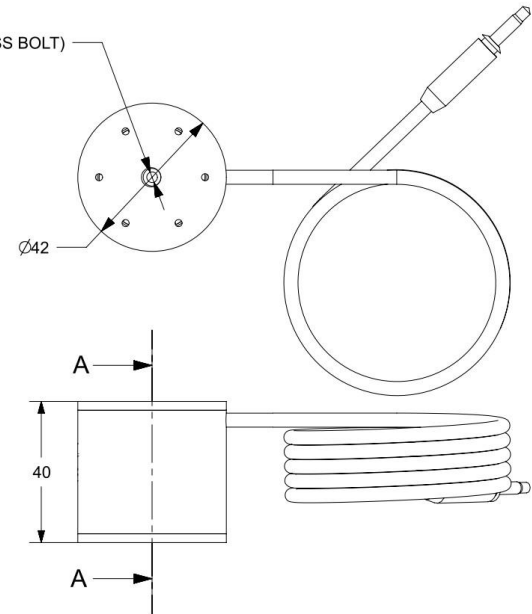
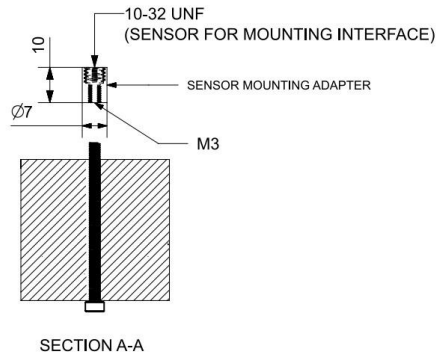
Web: www.dynalabs.com.tr

DynaLabs INERTIAL SHAKER

DYN-IS-10



$\varnothing 3 \begin{matrix} +0,1 \\ 0 \end{matrix}$ THRU(MOUNTING INTERFACE WITH M3X45 STAINLESS BOLT)



Output Force	Frequency Range	Displacement (Peak to Peak)	Moving Mass	Shaker Weight	Cooling System	Maximum Input Current
10 N	10-3,000 Hz	5 mm	0.1 kg	0.24 kg	Natural Convection	4 A (RMS)

Operating Temp. Range	Suspension	Amplifier	Amplifier Weight	Power Supply Voltage	Power Supply Current	External Signal Voltage Level
5-35 °C	Spring	External	0.65 kg	19 V (DC)	4.74 A	1 VAC (PEAK)



DYNALABS MUHENDISLIK LTD STI

Ostim OSB Mah. 100 Yil Bulvarı Ostim
No:55B/11 Yenimahalle 06374 Ankara

TURKEY

Phone: +90 312 386 21 89

Mail: dynalabs@dynalabs.com.tr

Web: www.dynalabs.com.tr